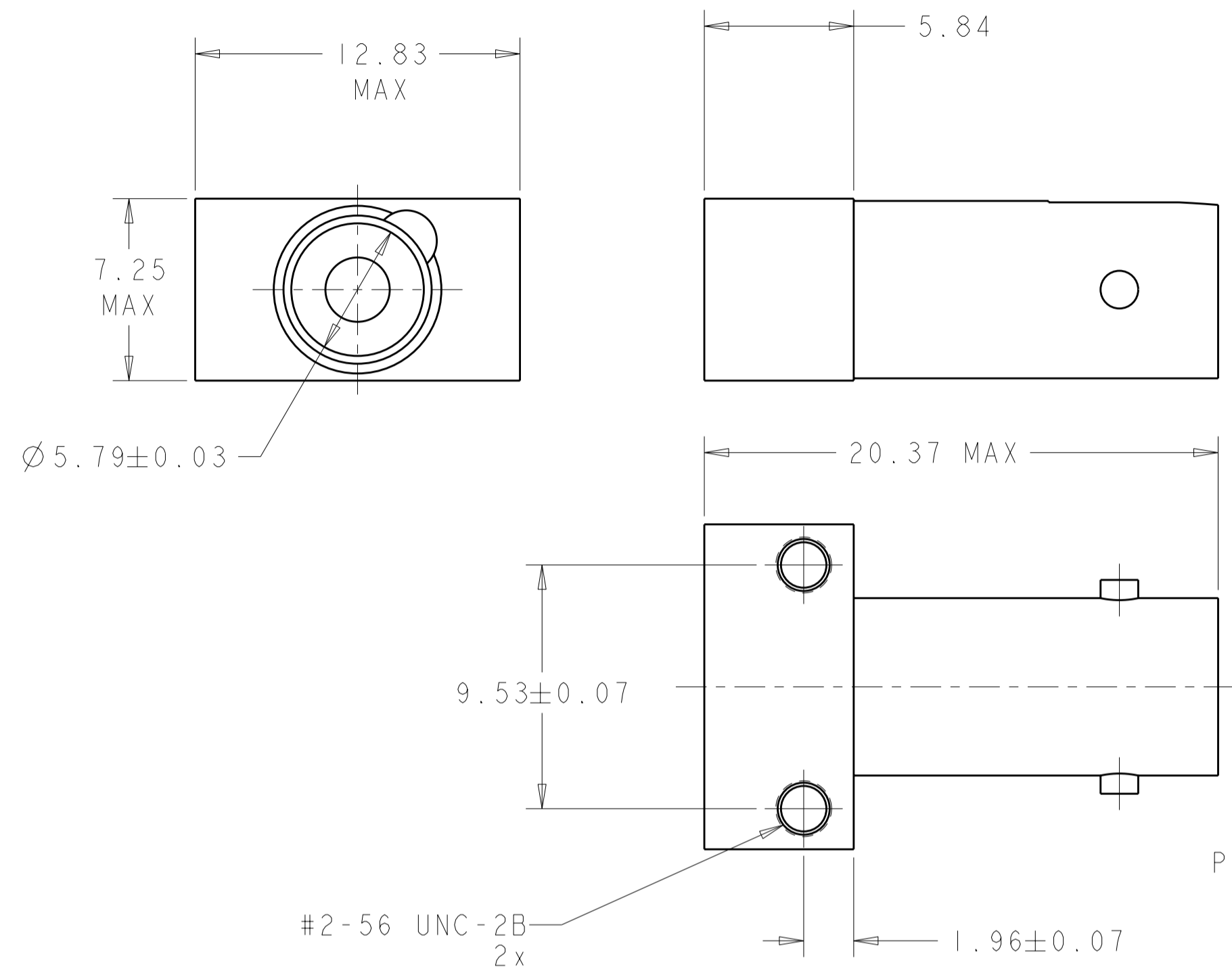


THIS DRAWING IS UNPUBLISHED. RELEASED FOR PUBLICATION 20
 © COPYRIGHT 20 BY TYCO ELECTRONICS CORPORATION. ALL RIGHTS RESERVED.

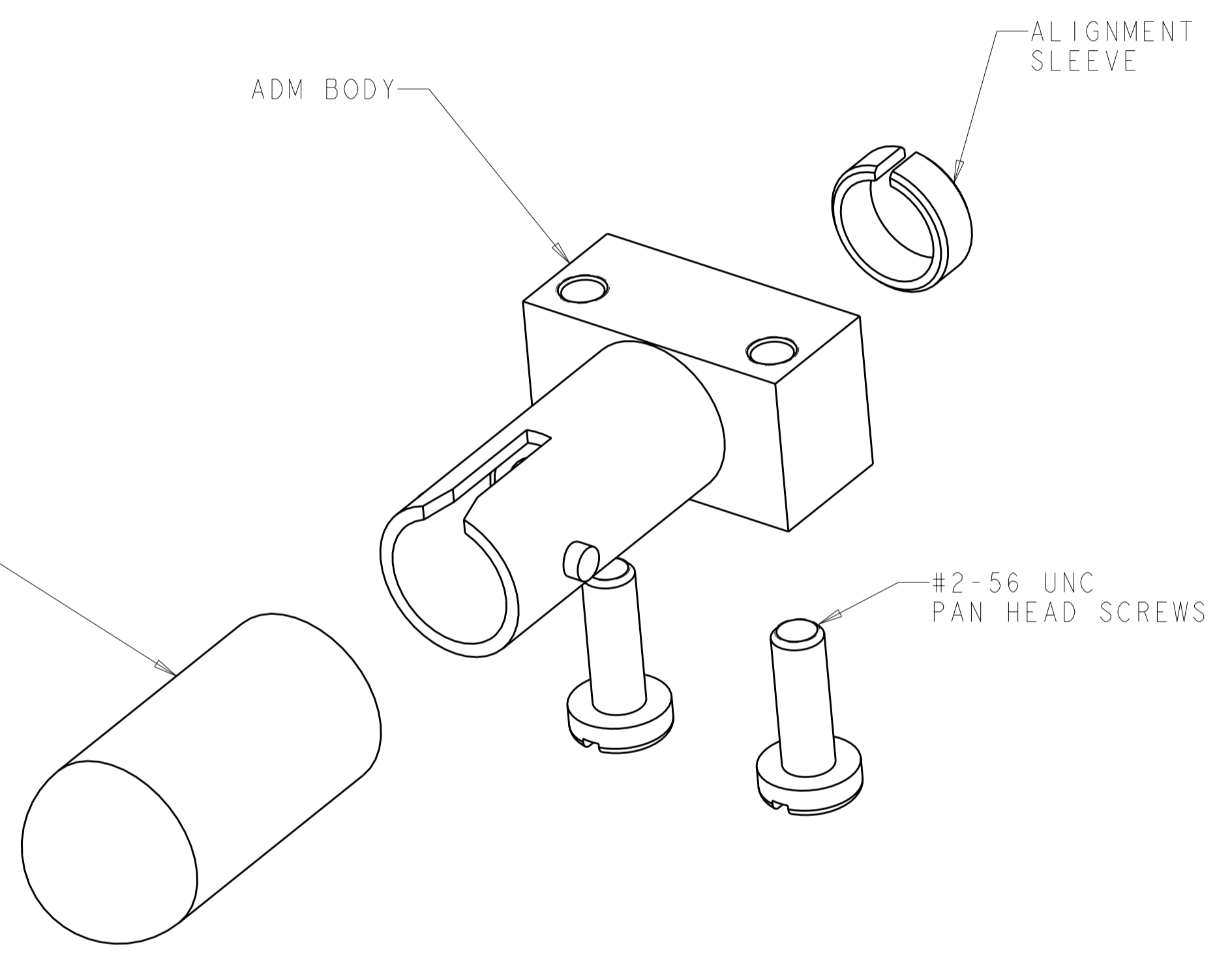
LOC	DIST	REVISIONS			
P	LTR	DESCRIPTION	DATE	DWN	APVD
CE	00	A	RELEASE TO ACTIVE	09JUN2006	BB SB



ACTIVE DEVICE MOUNT BODY

1. ACCEPTS ACTIVE DEVICES: TO-52, TO-18, TO-46 OR LOW COST HONEYWELL SWEETSPOT.

2 MATERIAL:
 PROTECTIVE CAP: PVC, COLOR: RED, NON-FR.
 ADM BODY: NICKEL PLATED ZINC
 ALIGNMENT SLEEVE: PBT, COLOR: BLACK, UL94 V-0 RATED AT QUALIFYING THICKNESS



5502585-2
 PART NUMBER

THIS DRAWING IS A CONTROLLED DOCUMENT FOR TYCO ELECTRONICS CORPORATION IT IS SUBJECT TO CHANGE AND THE CONTROLLING ENGINEERING ORGANIZATION SHOULD BE CONTACTED FOR THE LATEST REVISION.		DWN B. BRIGGS 14OCT2005	tyco Electronics		Tyco Electronics Harrisburg, PA 17105-3608
DIMENSIONS: mm		CHK S. BUCHTER 14OCT2005	NAME ACTIVE DEVICE MOUNT KIT, 2.5mm BAYONET		
TOLERANCES UNLESS OTHERWISE SPECIFIED: 0 PLC ± 1 PLC ± 2 PLC ±0.13 3 PLC ± 4 PLC ± ANGLES ± FINISH		APVD S. BUCHTER 14OCT2005	RESTRICTED TO		
MATERIAL		PRODUCT SPEC -	SIZE A200779	CAGE CODE C-5502585	DRAWING NO 5502585
2		APPLICATION SPEC -	SCALE 5:1		SHEET 1
		WEIGHT -	OF 1		REV A
		CUSTOMER DRAWING			